

NEW ARRIVAL

# SLIDING DOOR MECHANISM



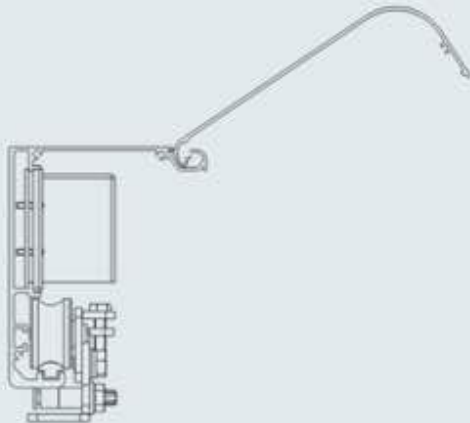
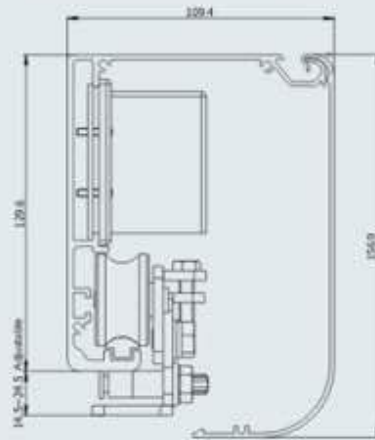
## Advantages

A. Rubber design, less noise.



rubber track design

B. Special hanger and track design,  
Hanger never drop off from track.



Special track and cover design

C. The anti-drop device to make double safe for hanger.

D. Simple controller, easy operation.

E. Receiver built-in.



FC04



FC05



FC04: A: Open B: Automatic C: Exit only D: Lock

FC05: 1. Automatic 2. Lock 3. Open  
4. Exit only 5. Half open 6. Open and close one time

F. Auto-lock when closed, or lock by function selector

G. Toggle operation function: active to open and active to close

**One year warranty,  
service forever!**

NEW ARRIVAL

# SLIDING DOOR MECHANISM

## V50



Controller



Motor



Idler pulley



Hanger



Stopper



Belt



Power switch



Power Supply Board



Microwave sensor  
(standard configuration)



Microwave sensor  
(optional)



Belt connector



Four keys remote  
(optional)



Six keys remote  
(standard configuration)

### Technical datas

Max door weight(single)	1x180kgs
Max door weight(double)	2x150kgs
Door leaf weight	400-2000mm
Opening speed	150-500mm/s(Adjustable)
Closing speed	150-500mm/s(Adjustable)
Square motor	24V 55W Brushless DC motor
Opening time	0-20seconds(Adjustable)
Voltage	AC90-250V 50Hz-60Hz
Operating Temperature	-20°C-70°C

### Extra function

Anti-clamp function	●
Fire alarm terminal	●
Access keypad terminal	●
Inter-lock function	●
Photocell	●
UPS	●
Electronic	●
Self-learning	●
Self-lock	●

### Working model

Automatic	●
Always Open	●
Partial Open	●
Full Lock	●
Exit only	○
Open one time	○

Note:  
Work with function remotes or function selectors.