



## **Ditec automation for gates and automatic barriers**

EN

# A complete range of products for any Ditec automation and barriers



## Automation for sliding gates

## Automation for swing gates

**Ditec NeoS**

**PAGE 4**

**Ditec Obbi**

**PAGE 15**

**Ditec Cross**

**PAGE 10**

**Ditec Luxo**

**PAGE 16**

**Ditec Facil**

**PAGE 19**

**Ditec Arc**

**PAGE 20**

**Ditec Cubic**

**PAGE 22**



type of service:



Automatic barriers

Ditec Qik

PAGE 28



Accessories

Accessories

PAGE 34

# ALL INCL USIVE

A complete range for all your residential and light commercial applications.

**Ditec NeoS** operates with gates up to 1.000 kg of weight and is designed to work even in case of intense usage and demanding environmental conditions. The control panel is integrated in the gear motor and provides a wide choice of advanced functions. Ditec NeoS is easy and quick to install and maintain.



# Ditec NeoS

## The pleasant performance

Discover the features which make Ditec NeoS truly unique

### Versatile

The full range of gate operators and accessories satisfies installation requirements in various residential and commercial environments.

### 2 levels of performance

NeoS for standard applications, in complete safety.

NeoS+ for advanced functions and easier setting thanks to the exclusive external LEDs, the USB connection and the internal digital display.

### Performance and technical content

- Opening and closing speed up to 25 cm/sec
- Low consumption and energy saving mode
- Battery kit available in case of fault of tension
- 433 MHz and 868 MHz frequencies available (868 MHz for NeoS+ only)
- Possibility to control courtesy or external ambient lights (NeoS+ only)

### Safety

#### Safeguard against accidents

For maximum safety during closing operations, the gate operator can be equipped with photocells and sensitive edges: in case of contact, the automation reverses the movement preventing damage to persons and things.

Further more Ditec NeoS moving parts are enclosed in the robust case and the gear motor is 24 V DC operated which reduces risks in case of accidental opening of the operator.

#### Protection against the elements

Thanks to the internal components and wiring layout, humidity, bad weather and insects are no longer a problem.

With the NIO function, the temperature sensor adapts gear motor performance in case of cold, ice or snow.

Ditec NeoS is compatible with a full range of protection devices such as photocells, sensors, controls and safety edges.

### Pleasant

#### Innovative and fresh look

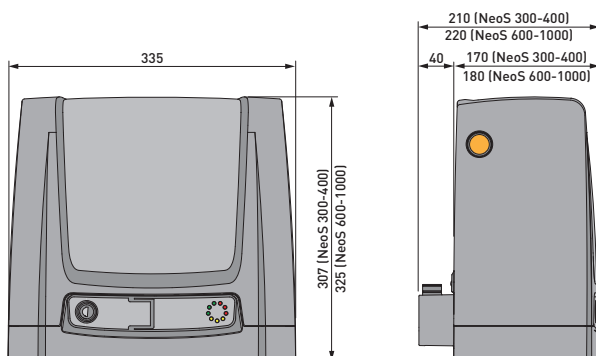
The modern design and clean aesthetics perfectly match all house styles. The integrated control panel and the possibility to mount photocells inside the cover grant a neat installation.

#### Control and security in your hands

The installation of Ditec NeoS can be greatly customised thanks to a wide selection of accessories. While comfortably seated in your car, simply press a button on your remote control and Ditec NeoS will spring into action, powerful and silent. The integrated Ditec solutions further allows you to operate your Ditec NeoS, turn on lights, open your garage door and control automatic road barriers... with just one remote control!



### Dimensions

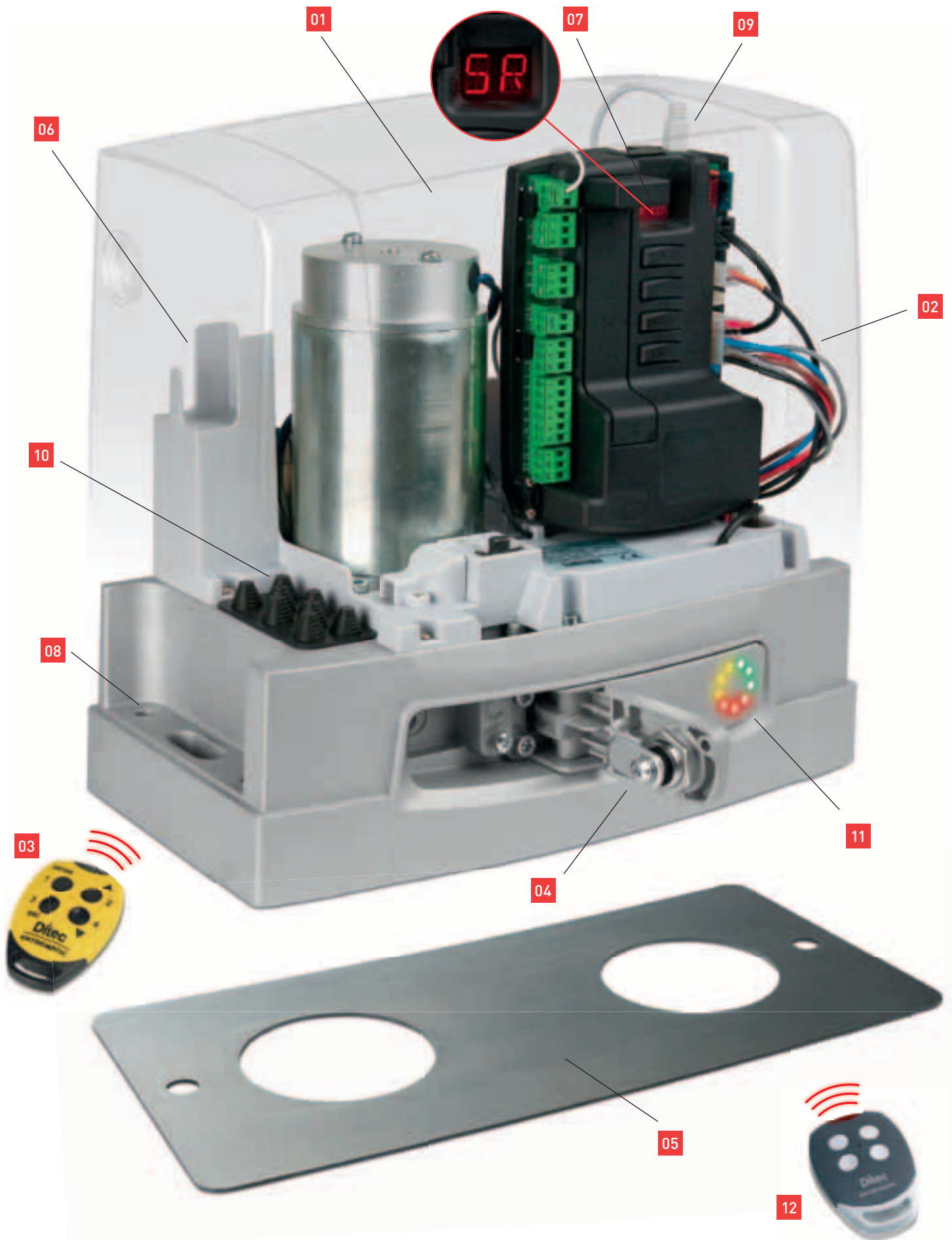


### Product range

|             | Wing weight up to |
|-------------|-------------------|
| NES300 EH   | 300 kg            |
| NES400 EH   | 400 kg            |
| NES600 EH   | 600 kg            |
| NES300 EHP  | 300 kg, NeoS+     |
| NES400 EHP  | 400 kg, NeoS+     |
| NES600 EHP  | 600 kg, NeoS+     |
| NES1000 EHP | 1000 kg, NeoS+    |
| DIT300NESL  | DO IT NeoS 300 kg |
| DIT400NESL  | DO IT NeoS 400 kg |
| DIT600NESL  | DO IT NeoS 600 kg |



# Comfort for the installer, clarity for th



# e user

## Comfort for installation

- Optimised internal components layout **01**
- Installation cables conveniently separated from "in-factory" cabling **02**
- Special radio control to set up the operator **03**
- Practical and convenient lock handle, without sharp edges **04**
- Enclosed steel plate for a convenient and rapid installation (stronger plate available as option) **05**



- Internal photocells' slots for greater safety and practicality **06**
- 2 digit display for easy setting and quick check of operator status **07**
- Adjustable height to ensure a perfect coupling with rack **08**
- PC diagnostic via USB (NeoS+ only) **09** to allow real-time monitoring of operator and download of data tracking for diagnostic
- Thanks to the internal components and wiring layout, humidity, bad weather and insects are no longer a problem **10**



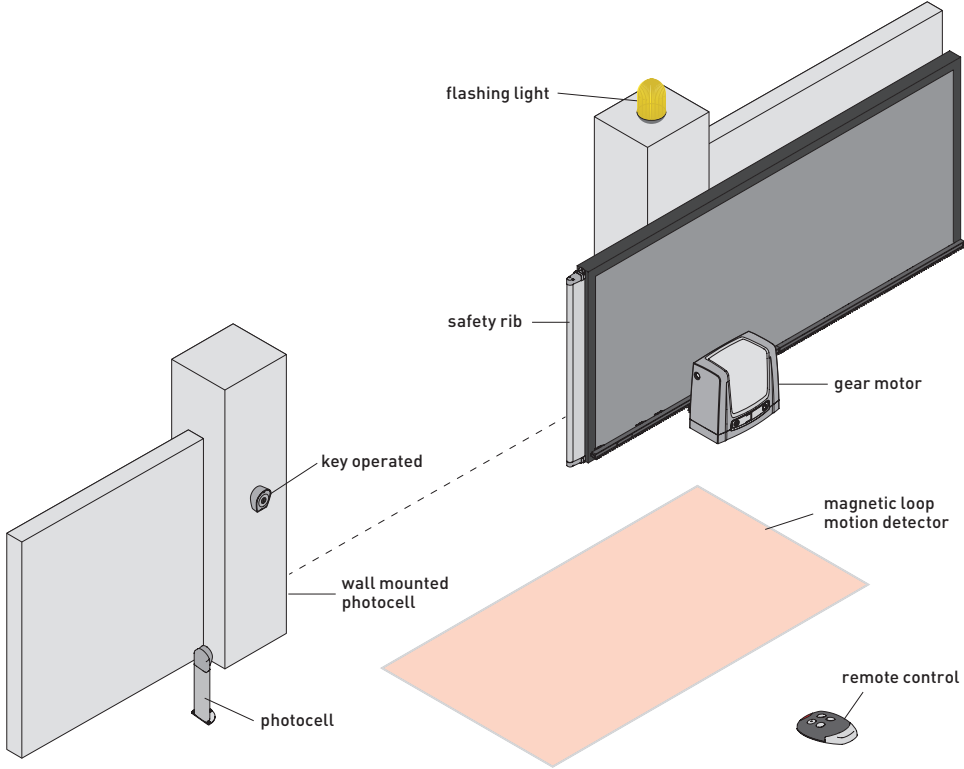
## Clarity for the user

- The multi-LED display informs users about the status of the operator (NeoS+ only) **11** :
  - green indicates regular functioning
  - yellow stands for battery mode and check-up time
  - red signals presence of faults or release cover open
- The release handle is easily accessible from the front of the cover and comes with a key lock for better safety
- Ditec NeoS is controlled via Gol 4 transmitters, pre-programmed with all functions: open, partial opening, power outgoing control (NeoS+ only) , stop **12**



# Example of installation and technical specifications

Example of installation






## Technical specifications

| Description: electromechanical gear motor | NeoS 300 - NeoS+ 300                                 | NeoS 400 - NeoS+ 400                                 | NeoS 600 - NeoS+ 600                                 | NeoS+ 1000   |
|---|--|--|--|--|
| Stroke control                            | virtual encoder                                      | virtual encoder                                      | limit switch + virtual encoder                       | limit switch + virtual encoder                       |
| Gate leaf weight                          | 300 kg   | 400 kg   | 600 kg   | 1000 kg  |
| Maximum opening                           | 12 m   | 12 m   | 20 m   | 20 m   |
| Service index                             | 4 - intensive  | 4 - intensive  | 4 - intensive  | 4 - intensive  |
| Intermittent operation                    | S2 = 30 min<br>S3 = 50%                              | S2 = 30 min<br>S3 = 50%                              | S2 = 30 min<br>S3 = 50%                              | S2 = 30 min<br>S3 = 50%                              |
| Power absorption                          | 230 V AC<br>50/60 Hz                                 | 230 V AC<br>50/60 Hz                                 | 230 V AC<br>50/60 Hz                                 | 230 V AC<br>50/60 Hz                                 |
| Power input                               | 1.2 A  | 1.2 A  | 1.5 A  | 2 A  |
| Thrust                                    | 300 N  | 400 N  | 600 N  | 1000 N   |
| Opening and closing speed                 | 0.1 - 0.25 m/s                                       | 0.1 - 0.25 m/s                                       | 0.1 - 0.24 m/s                                       | 0.1 - 0.19 m/s                                       |
| Release system for manual opening         | key-operated   | key-operated   | key-operated   | key-operated   |
| Operating temperature                     | -20°C / +55°C<br>[-35°C / +55°C<br>with NIO enabled] | -20°C / +55°C<br>[-35°C / +55°C<br>with NIO enabled] | -20°C / +55°C<br>[-35°C / +55°C<br>with NIO enabled] | -20°C / +55°C<br>[-35°C / +55°C<br>with NIO enabled] |
| Protection level                          | IP 24  | IP 24  | IP 24  | IP 24  |
| Product dimensions (mm)                   | 335x210x307  | 335x210x307  | 335x220x325  | 335x220x325  |
| Control panel                             | CS12E - CS12M<br>(built-in)                          | CS12E - CS12M<br>(built-in)                          | CS12E - CS12M<br>(built-in)                          | CS12M<br>(built-in)                                  |

## System functions

|   | NeoS 300 - NeoS 400<br>NeoS 600                   | NeoS+ 300 - NeoS+ 400<br>NeoS+ 600 - NeoS+ 1000   |
|---|---|---|
| Description   | CS12E   | CS12M   |
| Control panel   | for 1 24 V motor<br>with built-in radio           | for 1 24 V motor<br>with built-in radio           |
| Mains power supply  | 230 V AC / 50/60 Hz                               | 230 V AC / 50/60 Hz                               |
| Batteries   | ■ (optional)                                      | ■ (optional)                                      |
| Energy saving mode                 |   | ■   |
| Solar energy ready  |   | ■ (predisposition)                                |
| Number of motors  | 1   | 1   |
| Motor power supply  | 24 V DC   | 24 V DC   |
| Accessories power supply  | 24 V DC / 0.3 A                                   | 24 V DC / 0.5 A                                   |
| Flashing light  | 24 V  | 24 V  |
| Open gate indicator output  |   | ■   |
| Courtesy light output   |   | ■   |
| External LED output   |   | ■   |
| Micro USB connection per PC diagnostic  |   | ■   |
| Automatic closing activated by external timer<br>or remote signal (opening/closing can be programmed<br>daily/weekly) |   | ■   |
| 8,2 KΩ input for safety edge  | ■   | ■   |
| Encoder (kinematic control management)  | virtual   | virtual   |
| Force setting   | via display                                       | via display                                       |
| ODS - Obstruction Detection System  | ■   | ■   |
| Speed setting   | via display                                       | via display                                       |
| Braking / slowing down  | via display                                       | via display                                       |
| Partial opening control   | ■ (only with radio)                               | ■ (with radio and with selector)                  |
| Open / Close control  | ■   | ■   |
| Temporised automatic closing  | ■   | ■   |
| Hold-to-run control   | ■   | ■   |
| Emergency stop / reverse  | ■   | ■   |
| Safety test   | ■   | ■   |
| Soft Start  | ■   | ■   |
| NIO - Antifreeze system   | ■   | ■   |
| Operating temperature   | -20°C / +55°C<br>[-35°C / +55°C with NIO enabled] | -20°C / +55°C<br>[-35°C / +55°C with NIO enabled] |

# PERFORMING



Sliding gates require flexible automation capable of managing different frame dimensions, different types of duty and different environmental conditions, always ensuring maximum operational safety, functioning and reliability.

The **Ditec Cross** line meets all the different commercial and industrial needs. These modern and fully equipped actuators are specifically designed to satisfy all most advanced technical and installation requirements.

# Ditec Cross

A full range of products, for any type of service

## Ditec Cross 18-19

**For sliding gates weighing up to 1800 kg**

They are ideal for heavy service (commercial and industrial entrances)

- Gear motors with three different limit switch working alternatives
- Easy key lock release through removable cover opening
- Ditec Cross 18VE with built-in radio
- Rugged and powerful motor
- Wide range of accessories to meet various operational requirements.



Ditec Cross 18-19

## Ditec Cross 30

**Rugged, powerful, suitable for gates up to 3000 kg**

They are ideal for intensive service (community and industrial entrances)

- Trouble-free installation
- Magnetic limit switch
- System housed in a robust steel cabinet
- Functional and large front removable cover for easy access to components
- Built-in electronic control panel.

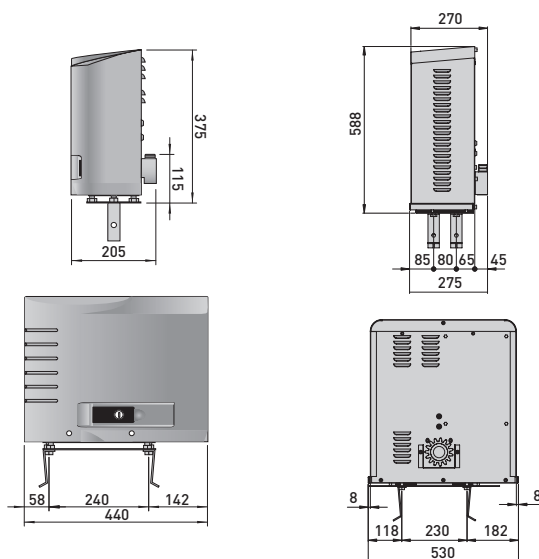


Ditec Cross 30

## Dimensions

Cross 18 - Cross 19

Cross 30

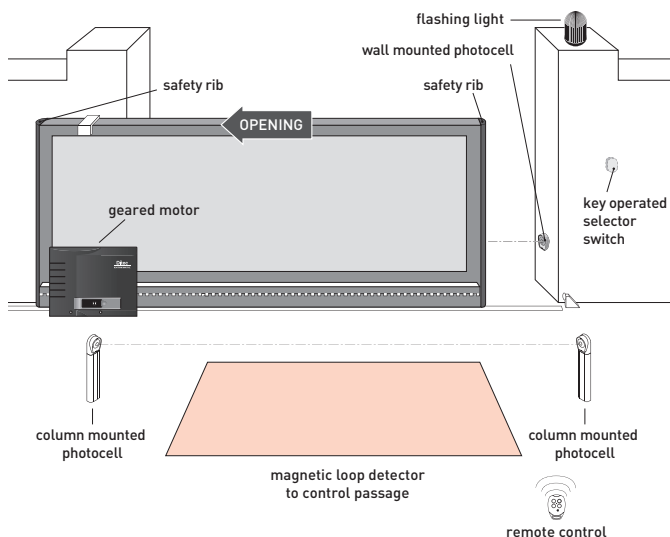




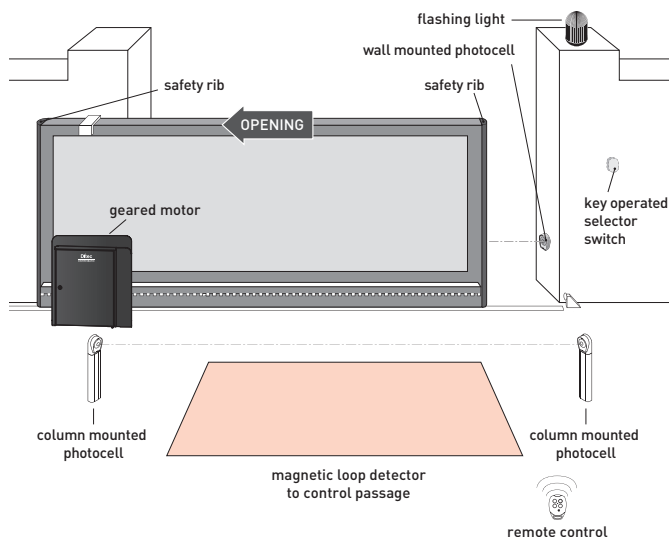
# Example of installation and technical specifications

## Example installations

Cross 18 - Cross 19



Cross 30



## Technical specifications

| Description                       | Cross 18  | Cross 18E   | Cross 18VE  | Cross 19V                       | Cross 30E                       |
|-----------------------------------|---|---|---|---------------------------------|---------------------------------|
| Electromechanical actuator        | for sliding gates up to 1800 kg                   | for sliding gates up to 1800 kg                   | for sliding gates up to 1800 kg                   | for sliding gates up to 1800 kg | for sliding gates up to 3000 kg |
| Travel control system             | rotary stop                                       | lever   | magnetic mechanical stop                          | magnetic mechanical stop        | magnetic mechanical stop        |
| Capacity                          | 1800 kg   | 1800 kg   | 1800 kg   | 1800 kg                         | 3000 kg                         |
| Duty class                        | 4 - heavy duty                                    | 4 - heavy duty                                    | 4 - heavy duty                                    | 4 - heavy duty                  | 5 - very heavy duty             |
| Intermittent operation            | S2 = 30 min<br>S3 = 50%                           | S2 = 30 min<br>S3 = 50%                           | S2 = 30 min<br>S3 = 50%                           | S2 = 30 min<br>S3 = 50%         | S3 = 100%                       |
| Power supply                      | 230 V AC<br>50 Hz                                 | 230 V AC<br>50 Hz                                 | 230 V AC<br>50 Hz                                 | 400 V AC<br>50 Hz               | 400 V AC<br>50 Hz               |
| Input                             | 3 A   | 3 A   | 3 A   | 1.2 A                           | 2.1 A                           |
| Thrust                            | 1200 N  | 1200 N  | 1200 N  | 1500 N                          | 3000 N                          |
| Opening speed                     | 0.2 m/s   | 0.2 m/s   | 0.2 m/s   | 0.2 m/s                         | 0.16 m/s                        |
| Closing speed                     | 0.2 m/s   | 0.2 m/s   | 0.2 m/s   | 0.2 m/s                         | 0.16 m/s                        |
| Max stroke                        | 11 m  | 20 m  | 20 m  | 20 m                            | 20 m                            |
| Release system for manual opening | key operated                                      | key operated                                      | key operated                                      | key operated                    | a key operated                  |
| Operating temperature             | -20°C / +55°C<br>[-35°C / +55°C with NIO enabled] | -20°C / +55°C<br>[-35°C / +55°C with NIO enabled] | -20°C / +55°C<br>[-35°C / +55°C with NIO enabled] | -20°C / +55°C                   | -20°C / +55°C                   |
| Protection rating                 | IP 24D  | IP 24D  | IP 24D  | IP 24D                          | IP 45                           |
| Product Dimensions (mm)           | 440x205x375                                       | 440x205x375                                       | 440x205x375                                       | 440x205x375                     | 530x275x588                     |
| Control panel                     | E1A<br>LOGICM                                     | E1A<br>(built in)                                 | LOGICM<br>(built in)                              | E1T                             | E1T<br>(built in)               |

# System functions

## System functions

|   | Cross 18 - 18E                                       | Cross 18 -18VE                                       | Cross 19V<br>Cross30E               |
|---|--|--|-------------------------------------|
| Description   | E1A  | LOGICM   | E1T                                 |
| Control panel   | for 1<br>230 V AC motor with built-in<br>radio       | for 1 or 2<br>230 V AC motors                        | for 1<br>three-phase 400 V AC motor |
| Mains power supply  | 230 V AC / 50/60 Hz                                  | 230 V AC / 50/60 Hz                                  | 230 V AC / 50/60 Hz                 |
| Number of motors  | 1  | 1  | 1                                   |
| Motor power supply  | 230 V AC / 5 A                                       | 230 V AC / 1 x 5 A<br>230 V AC / 2 x 2.5 A           | 400 V AC / 6 A                      |
| Accessories power supply  | 24 V DC / 0.5 A                                      | 24 V DC / 0.5 A                                      | 24 V DC / 0.5 A                     |
| Flashing light  | 230 V  | 230 V and 24 V                                       | 24 V                                |
| Gate open warning light   | from limit switch                                    | from limit switch and<br>analogue                    | from limit switch                   |
| Courtesy light  | ■  | ■<br>(only with 1 motor)                             |                                     |
| Limit switch provision  | ■  | ■  | ■                                   |
| Force adjustment control setting  | transformer  | transformer  |                                     |
| ODS - Obstruction Detection System  | ■  | ■  |                                     |
| Operation time adjustment   | ■  | ■  |                                     |
| Open control  | ■<br>(with dip-switch)                               | ■  | ■<br>(with dip-switch)              |
| Partial opening control   | ■<br>(with radio only)                               | ■  | ■                                   |
| Close control   | ■  | ■  | ■                                   |
| Temporised automatic closing  | ■  | ■  | ■                                   |
| Inching control   | ■  | ■  | ■                                   |
| Hold-to-run control   | ■  | ■  | ■                                   |
| Stop safety device  | ■  | ■  | ■                                   |
| Reverse operation safety device   | ■  | ■  | ■                                   |
| Safety Test Facility<br>(for SOF self-testing safety devices)                               | ■  | ■  | ■                                   |
| NIO - Antifreeze system<br>(for maintaining motor efficiency even at very low temperatures) | ■  | ■  |                                     |
| Operating temperature   | -20°C / +55°C<br>(-35°C / +55°C<br>with NIO enabled) | -20°C / +55°C<br>(-35°C / +55°C<br>with NIO enabled) | -20°C / +55°C                       |

# FUNCTIONAL

**External automation by Ditec,  
quality stands out, automatically.**

Great care is required at the design stage of automation used on swing gates, as the gates are exposed to bad weather and are often very frequently used.

In order to offer the best possible solution, when designing the automation system, it is crucial to know exactly how the gate will be used.

Ditec offers a full range of products designed to allow easy installation on gates of any size and to cater for any type of duty.





# Ditec Obbi

Safe and functional, for swing gates with doors up to 3 metres  
For medium duty

## Elegant design

Gates for residential application often require an automation able to ensure long lasting, highly reliable gate operation, as well as to perfectly blend in with the look of the gate. Ditec Obbi's smart yet simple design fully meets these requirements and can also be used with any type of modern or period gates.

## Versatile

Its very thin frame blends in exceptionally well with the frame of the gate and ensures easy installation thanks to its special connecting system, which may be fixed without welding, if so required, and to its multi-hole rear bracket **01**, easily adjustable to be located in the most suitable operating position by simply changing the through hole combination.

## Simple

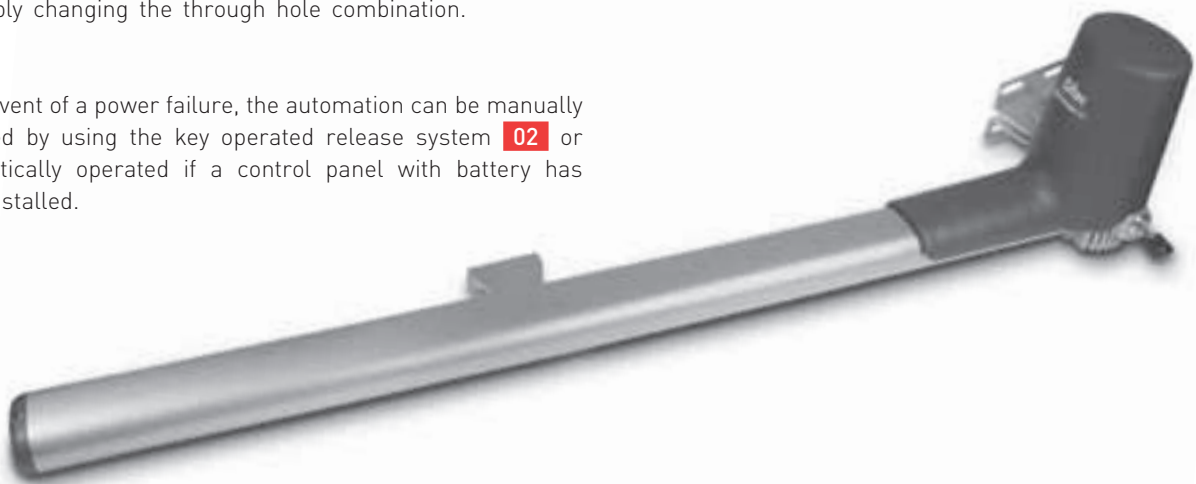
In the event of a power failure, the automation can be manually operated by using the key operated release system **02** or automatically operated if a control panel with battery has been installed.

## Distinctive features

- High safety level ensured by the 24 V DC power supply
- Smart yet simple design
- Anodised aluminium shaft cover
- Suitable for any modern or period gate frame
- Can be used to operate gates with small pillars
- Easily accessible key-operated release system
- The following features are available: partial opening, speed setting, soft start and soft stop

## Special accessories

- Back-up battery pack to be used in the event of a power failure

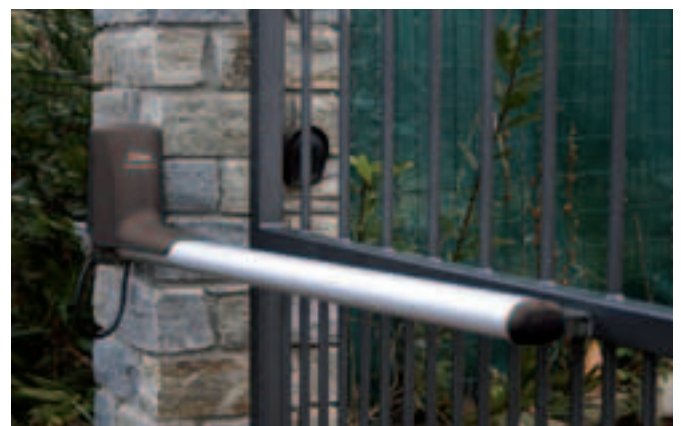
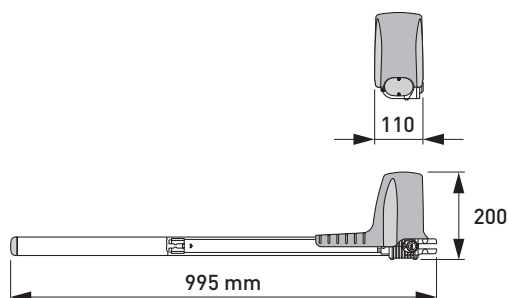


## Product range

|             |           |
|-------------|-----------|
| Medium duty | Wing      |
| Obbi 3BH    | up to 3 m |

## Dimensions

|      |
|------|
| Obbi |
|------|



# Ditec Luxo

**Sturdy and indefatigable, for swing gates with doors up to 5 metres**  
**For heavy duty**

## The privilege of beauty

Smart and refined, Ditec Luxo was designed to be admired and desired.

Its modern and futurist look features soft and smooth lines and makes it suitable for any type of gate frame.

The automation has been designed to comply with the sturdiest and most reliable Ditec systems.

Being made of aluminium, it looks light and clean; this will ensure its long life, withstanding harsh weather, and is further enhanced by an additional polyester coating.

Every detail and shape has been carefully and passionately designed.

## Power failure? No problem!

Thanks to its manual release system, located under its smart and easily accessible plastic cover **01**, all emergencies caused by power failure can be easily overcome.

## Total life time reliability

System and power connection cables are located in a specially designed raceway **02** to avoid scratching, torsion and wear during operation, thus preventing any possible damage.

Brackets are made of galvanized steel **03** while rotation bushes are made of hardened steel to ease the movement of the automation and to resist wear and tear.

## Easy installation

Under the upper casing all electric connections are neatly gathered **04** to make both installation and maintenance easy and quick.

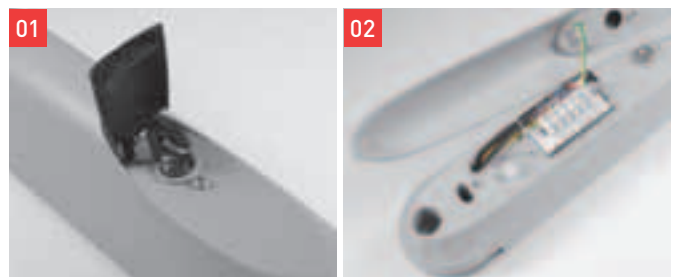
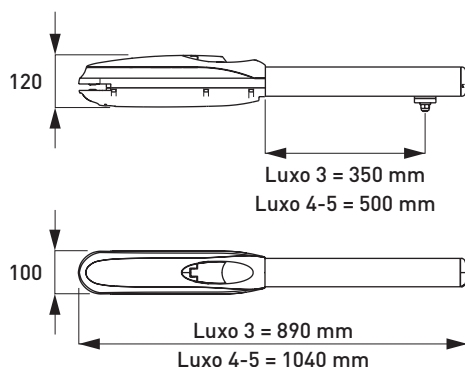


## Product range

|                                |             |
|--------------------------------|-------------|
| Heavy duty                     | Wing        |
| Luxo 3B - Luxo 3BH             | up to 3.5 m |
| Luxo 4BH                       | up to 4 m   |
| Luxo 5B - Luxo 5BH - Luxo 5VBH | up to 5 m   |

## Dimensions

Luxo



### Smartly designed, details included

All fixing screws **05** are made of stainless steel to be weatherproof and to preserve the beauty of the whole automation system over time. However, they are intentionally and cleverly hidden by the designer's attention to detail. Sturdy, durable and reliable, it works quietly to be admired and desired **06**.

### Distinctive features

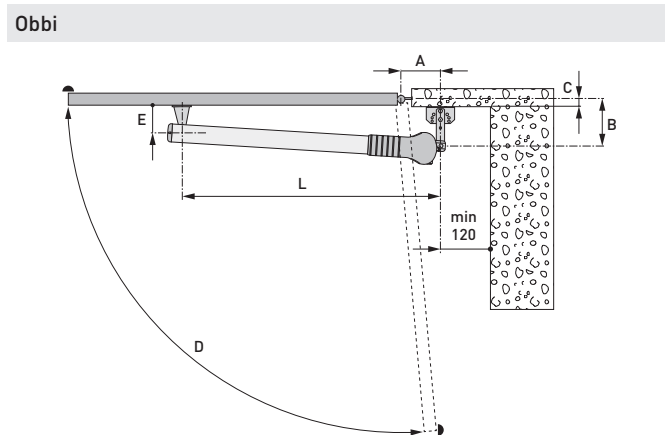
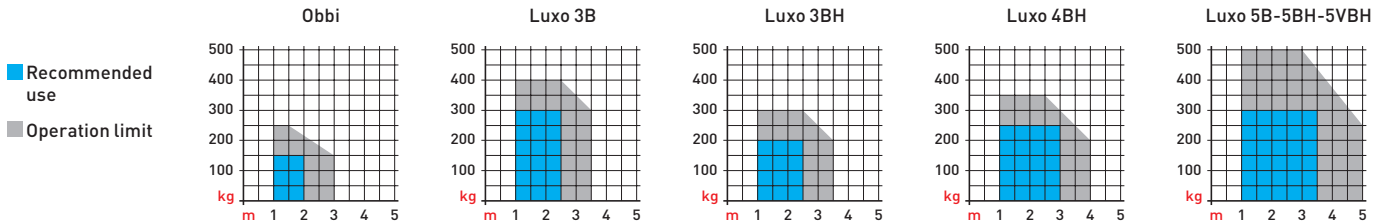
- Irreversible or reversible, customer specified (230 V AC version)
- Version with dustproof brushes and limit switch as standard
- Version with 24 V DC motor, partly open, speed adjustment, soft start and soft stop

### Special accessories

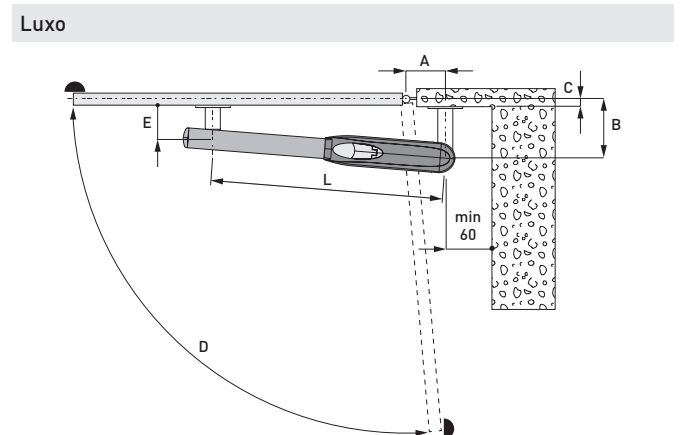
- Limit switch unit
- Back-up battery pack to be used in the event of a power failure



### Operation diagrams and charts



| A   | B   | C max (90°) | D max | E  | L   |
|-----|-----|-------------|-------|----|-----|
| 150 | 150 | 85          | 100°  | 75 | 910 |
| 120 | 160 | 95          | 100°  | 75 | 910 |
| 120 | 180 | 115         | 100°  | 75 | 910 |
| 160 | 120 | 55          | 110°  | 75 | 910 |



| (*) Use measurements between minimum and maximum |                    |                    |     |     |     |      |     |     |
|--|--------------------|--------------------|-----|-----|-----|------|-----|-----|
|  | A*                 | B*                 | A   | B   | C   | D    | E   | L   |
| Luxo 3B  | min 105<br>max 130 | min 120<br>max 170 | 130 | 170 | 100 | 90°  | 90  | 760 |
| Luxo 3BH   |                    |                    | 105 | 140 | 70  | 90°  |     |     |
|  |                    |                    | 130 | 130 | 60  | 95°  |     |     |
| Luxo 4BH   | min 130<br>max 200 | min 170<br>max 290 | 170 | 170 | 100 | 90°  | 120 | 910 |
| Luxo 5B  |                    |                    | 200 | 200 | 130 | 95°  |     |     |
| Luxo 5BH   |                    |                    | 200 | 170 | 100 | 120° |     |     |
| Luxo 5VBH  |                    |                    | 130 | 290 | 220 | 90°  |     |     |



# VER SAT ILE

**Ditec articulated arm automation, the ideal solution for complex applications.**

Automation for swing gates, ideal for medium and heavy duty applications. Quiet, hard-wearing and easy to install, can be configured to meet any need – even complex ones such as very large wings or out-of-plumb pillars.



# Ditec Facil

Simple and versatile, for swing gates with doors up to 2.3 metres  
For heavy duty

Ditec Facil has been designed to be simple to install and easy to connect, being able use many various types of motor it is highly practical.

The ABS guard ensures good resistance against the weather and boasts high quality and elegant finishes, simple and clean lines, and can blend perfectly to any type of entrance.

## No problem in case of power failure

The key operated, easily accessible release door is built into the front of the cast aluminium casing **01**.

The Deb 04 device, which is easily operated with a cord, allows the automation to be remotely controlled without opening the door.

## Carefully designed with safety in mind

The shape of the articulated arm and its connection to the casing **02** have been designed to avoid any shearing problems.

Ditec Facil is fitted with built in and adjustable open-close mechanical stops.

A limit switch unit can be installed to supply visual indicators or to stop the wing.

## Ready and simple to install

Ditec Facil features a built-in electronic panel which can easily be removed, leading to obvious advantages during the installation stage as well as when performing any maintenance on the automation.

After removing the guard, the see-through control panel enclosure can be taken out to reveal the controls.

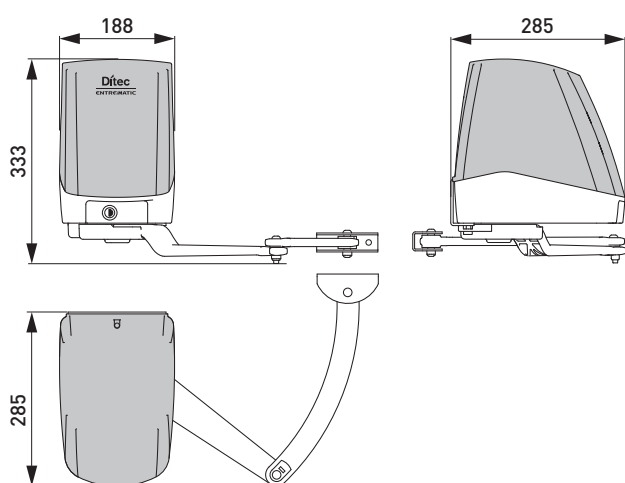
## Accessories

- Key operated handle with 5 m remote release cord
- Limit switch unit
- Internal and external battery for VIVA H control panel
- Straight arm



## Dimensions

Facil





# Ditec Arc

Easy to install and versatile, for swing gates with doors up to 5 metres  
For heavy duty

## Versatile

Ditec Arc has been designed for easy installation, either right or left, and can even move very large wings with a 24 V DC power supply, ensuring high safety operation.

## Ensures long-lasting operational reliability

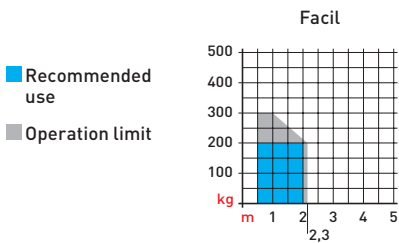
Ditec Arc key release system is easy to access. In case of power failure, the 24 V DC version ensures some emergency automatic operations, taking the necessary power supply from the battery (optional).

The ABS casing offers a greater resistance to atmospheric agents.

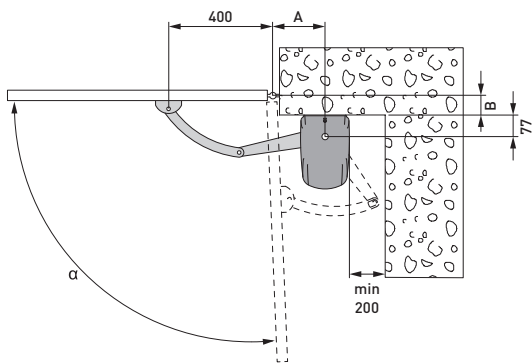
## Accessories

- Key operated handle with 5 m remote release cord
- Limit switch unit
- Internal and external battery for VIVA H control panel
- Gear motor side fastening plate
- Adjustable stop

## Operation diagrams and charts



Facil

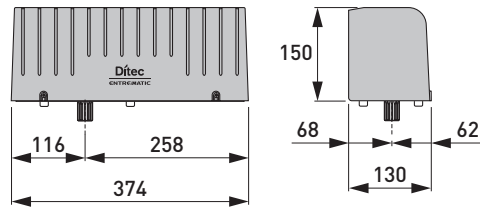


|        |     | A (mm) |     |     |     |      |      |      |      |      |
|--------|-----|--------|-----|-----|-----|------|------|------|------|------|
|        |     | 120    | 130 | 140 | 150 | 160  | 170  | 180  | 190  | 200  |
| B (mm) | 0   | 90°    | 90° | 95° | 95° | 100° | 100° | 105° | 105° | 110° |
|        | 50  | 90°    | 90° | 95° | 95° | 95°  | 95°  | 95°  | 95°  | 95°  |
|        | 100 | 90°    | 90° | 90° | 90° | 90°  | 90°  | 90°  | 90°  | /    |
|        | 150 | 90°    | 90° | 90° | 90° | 90°  | 90°  | 90°  | /    | /    |
|        | 200 | 90°    | 90° | 90° | 90° | 90°  | /    | /    | /    | /    |

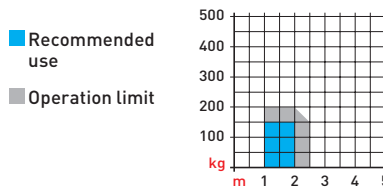


## Dimensions

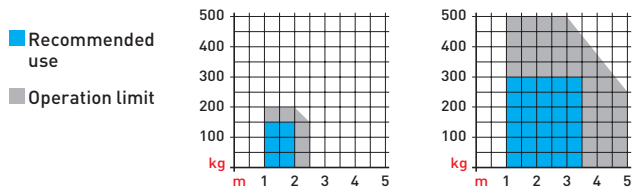
Arc



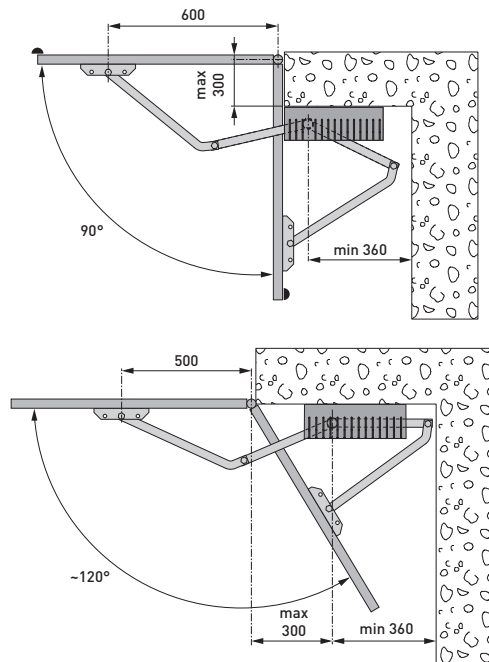
Arc BH



Arc 1BH



Arc





# INVISIBLE

**Underground automation for Ditec Cubic 6 swing gates do not alter the aesthetics or style of the gate.**

There are several issues that come into play when it comes to buying a house: looks, comfort, proximity to facilities and, above all, security. Convenience and security start at the entrance to the property. Ditec Cubic 6, the range of underground control systems for swing gates, is the solution which meets this requirement.





# Ditec Cubic 6

The invisible automation  
For medium and heavy duty

## Ideal for architecturally fine gates

Ditec Cubic 6 is an underground automation for swing gates. Unobtrusive on its visible parts, the product allows the gate to open and close without interfering with its look and style. This makes it the ideal solution for fine gates and entrances, such as those fitted to architecturally attractive or historically significant buildings, or for any application where style, look or elegance should be kept unaltered.

## Concealed, sturdy and versatile

Practical and simple to operate, the automation consists of a stainless steel or electrically galvanised steel foundation casing fitted below the ground, where the geared motor and all mechanical linkages which operate the gate leaves are housed.

This highly versatile solution which can be customised to individual requirements:

- allows the gate to be opened at a very wide angle, up to 180°;
- combined with Ditec electrical control panels, the automation allows the motor to successfully overcome any initial friction caused by bad weather conditions such as ice;
- can also be used in applications requiring fast access.

## Product range

|                | Cubic 6     | Cubic 6H                   | Cubic 6HV                  |
|----------------|-------------|----------------------------|----------------------------|
| Gear motor     | 230 V AC    | 24 V DC                    | 24 V DC                    |
| Wing dimension | 3.5 m       | 3.5 m                      | 1.5 m                      |
| Duty           | residential | block of flats, heavy duty | block of flats, heavy duty |
| Opening time   | 18 s/90°    | 12÷25 s/90°                | 6÷13 s/90°                 |

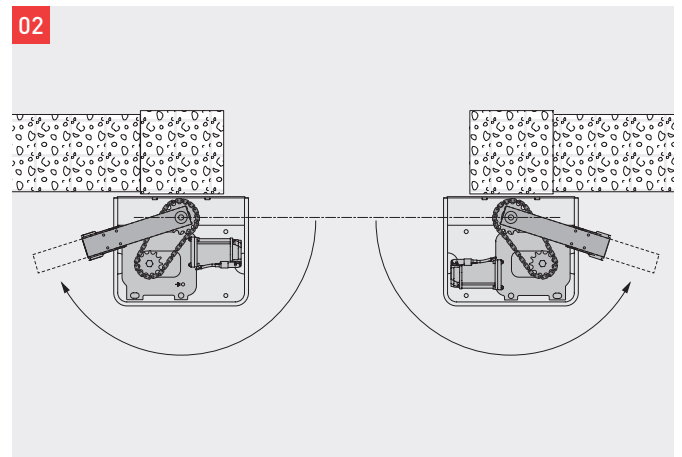
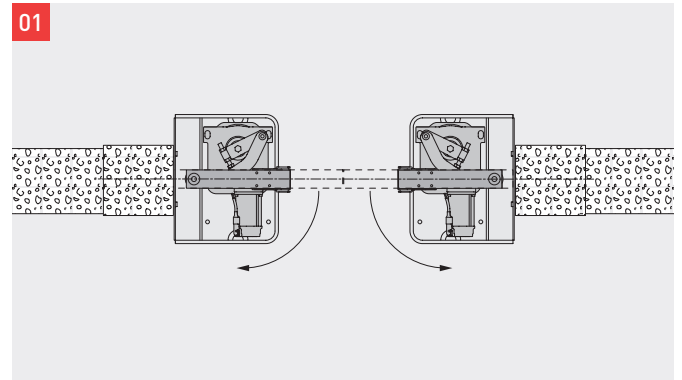


### Distinctive features

- The gear motors are housed in a sturdy stainless steel or electrically galvanised steel foundation casing to increase resistance to weathering; the automation is fixed by means of stainless steel screws pre-built in the foundation casing
- In the 110° angle version **01**, rotation is done by a lever system, whilst in the 180° angle version rotation is done by a chain **02**
- CE mark
- Aesthetically pleasing release system with key and lever which may be operated from both sides
- Works even at low temperatures
- Motor protected by an internal temperature probe
- Supplied with all security, control and monitoring accessories
- Wing support system on hardened steel ball

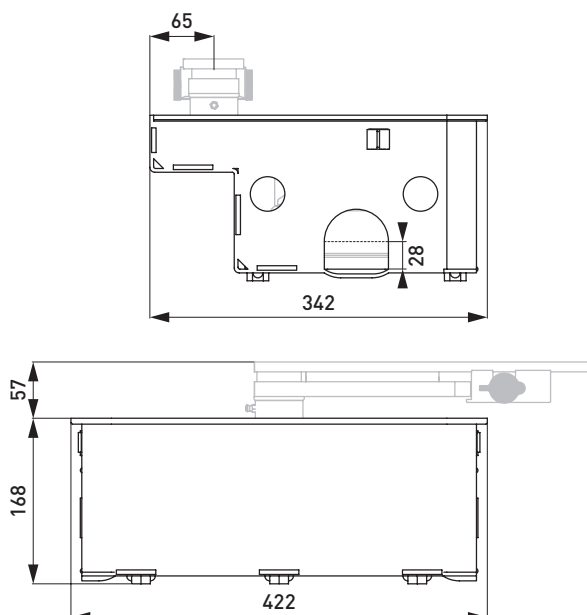
### Special accessories

- Internal mechanical stop both for opening and closing operations
- Magnetic limit switches
- DIN key



### Dimensions

#### Cubic 6

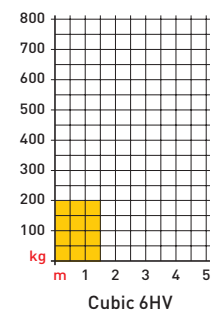
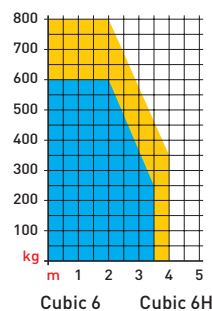


### Duty charts

#### Duty details:

■ Cubic 6LG ■ Cubic 6L

■ Recommended use

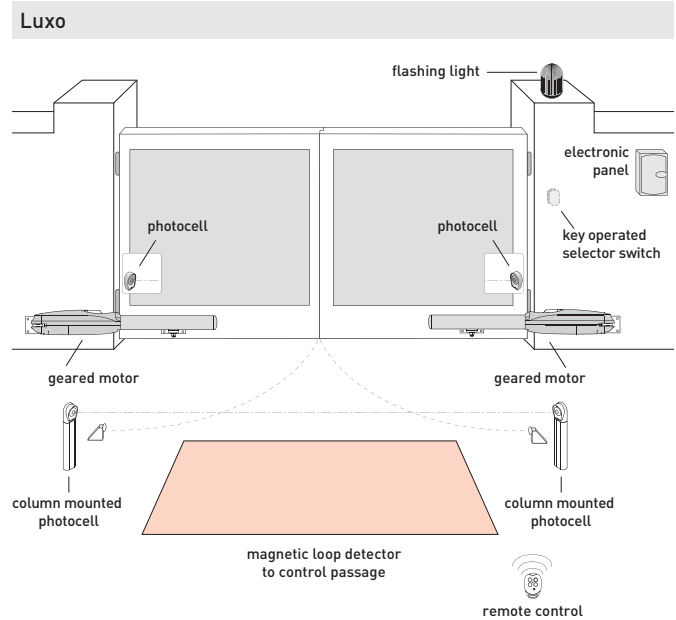
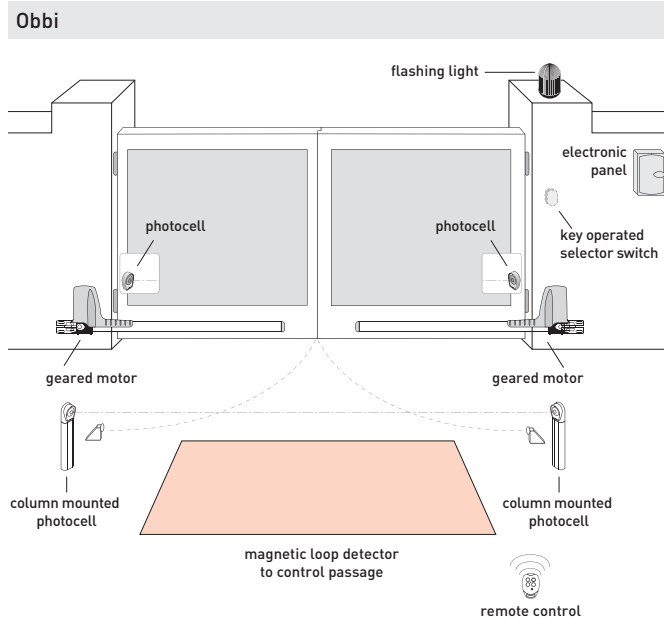




# Ditec Obbi, Ditec Luxo

## Example installations and technical specifications

### Example installations



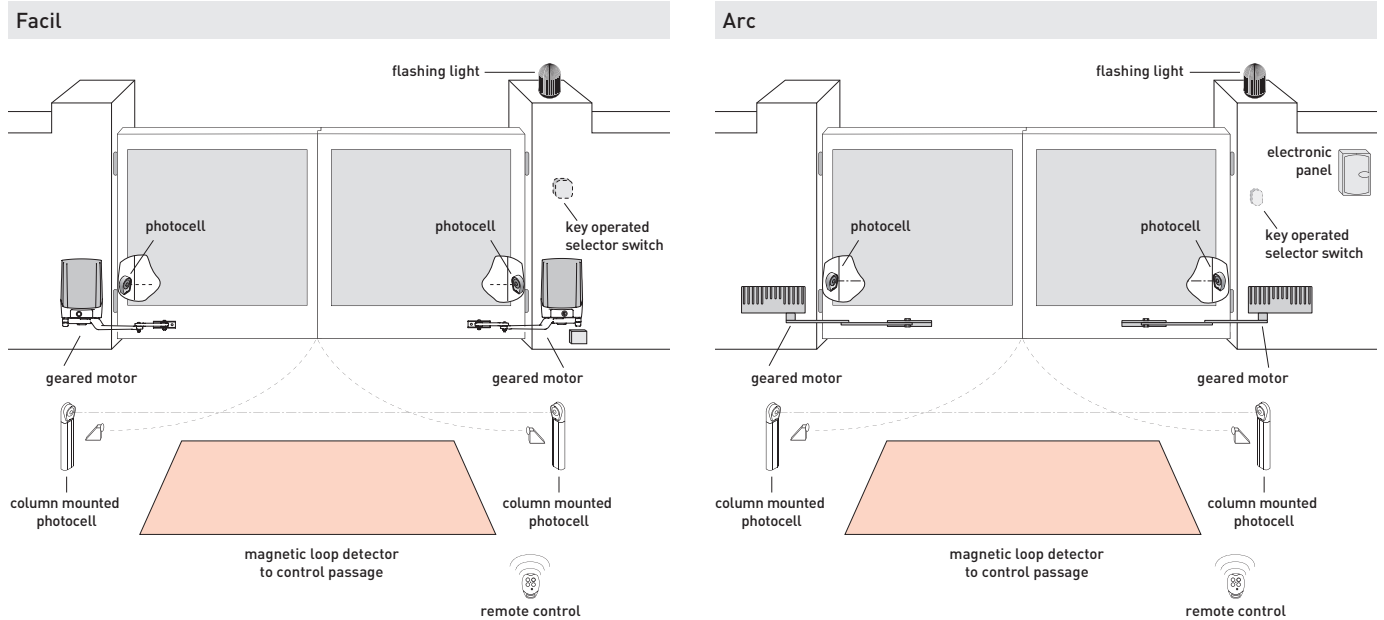
### Technical specifications

| Description                       | Obbi 3BH  | Luxo 3B   | Luxo 3BH  | Luxo 4BH  | Luxo 5B   | Luxo 5BH-5VBH                                     |
|-----------------------------------|---|---|---|---|---|---|
| Electromechanical actuator        | irreversible for up to 3 m wide wing              | irreversible and reversible for up to 3.5 m wide wing | irreversible for up to 3.5 m wide wing            | irreversible for up to 4 m wide wing              | irreversible and reversible for up to 5 m wide wing | irreversible for up to 5 m wide wing              |
| Stroke control                    |   | lever-operated limit switch (optional)                | lever-operated limit switch (optional)            | lever-operated limit switch (optional)            | lever-operated limit switch (optional)              | lever-operated limit switch (optional for 5BH)    |
| Maximum capacity                  | 250 kg x 1.5 m<br>150 kg x 3 m                    | 350 kg x 2.5 m<br>250 kg x 3.5 m                      | 300 kg x 2.5 m<br>200 kg x 3.5 m                  | 350 kg x 2.5 m<br>200 kg x 4 m                    | 500 kg x 3 m<br>250 kg x 5 m                        | 500 kg x 3 m<br>250 kg x 5 m                      |
| Duty class                        | 3 - medium duty                                   | 4 - heavy duty  | 4 - heavy duty                                    | 4 - heavy duty                                    | 4 - heavy duty                                      | 4 - heavy duty                                    |
| Intermittent operation            | S2 = 30 min<br>S3 = 50%                           | S2 = 20 min<br>S3 = 50%                               | S2 = 20 min<br>S3 = 50%                           | S2 = 20 min<br>S3 = 50%                           | S2 = 20 min<br>S3 = 50%                             | S2 = 20 min<br>S3 = 50%                           |
| Power supply                      | 24 V DC   | 230 V AC / 50 Hz                                      | 24 V DC   | 24 V DC   | 230 V AC / 50 Hz                                    | 24 V DC   |
| Power input                       | 3 A   | 1.1 A   | 4 A   | 4 A   | 1.1 A   | 12 A  |
| Thrust                            | 1500 N  | 3000 N  | 2000 N  | 2000 N  | 3000 N  | 3000 N  |
| Opening time                      | 25 s/90°  | 22 s/90°  | 22 s/90°<br>(E2HLX)<br>20-30 s/90°<br>(VIVA H)    | 22 s/90°  | 32 s/90°  | 20-45 s/90°                                       |
| Max stroke                        | 350 mm  | 350 mm  | 350 mm  | 500 mm  | 500 mm  | 500 mm  |
| Actuator maximum opening          | 110°  | 110°  | 110°  | 120°  | 120°  | 120°  |
| Release system for manual opening | key-operated                                      | key-operated  | key-operated                                      | key-operated                                      | key-operated  | key-operated                                      |
| Operating temperature             | -20°C / +55°C<br>[-35°C / +55°C with NIO enabled] | -20°C / +55°C<br>[-35°C / +55°C with NIO enabled]     | -20°C / +55°C<br>[-35°C / +55°C with NIO enabled] | -20°C / +55°C<br>[-35°C / +55°C with NIO enabled] | -20°C / +55°C<br>[-35°C / +55°C with NIO enabled]   | -20°C / +55°C<br>[-35°C / +55°C with NIO enabled] |
| Protection rating                 | IP 54   | IP 24D  | IP 24D  | IP 24D  | IP 24D  | IP 24D  |
| Product dimensions (mm)           | 110x200x995                                       | 100x120x890   | 100x120x890                                       | 100x120x1040                                      | 100x120x1040  | 100x120x1040                                      |
| Control panel                     | E2HOB<br>VIVA H                                   | E2<br>LOGIC M   | E2HLX<br>VIVA H                                   | E2HLX<br>VIVA H                                   | E2<br>LOGIC M                                       | VIVA H  |

# Ditec Facil, Ditec Arc

## Example installations and technical specifications

### Example installations



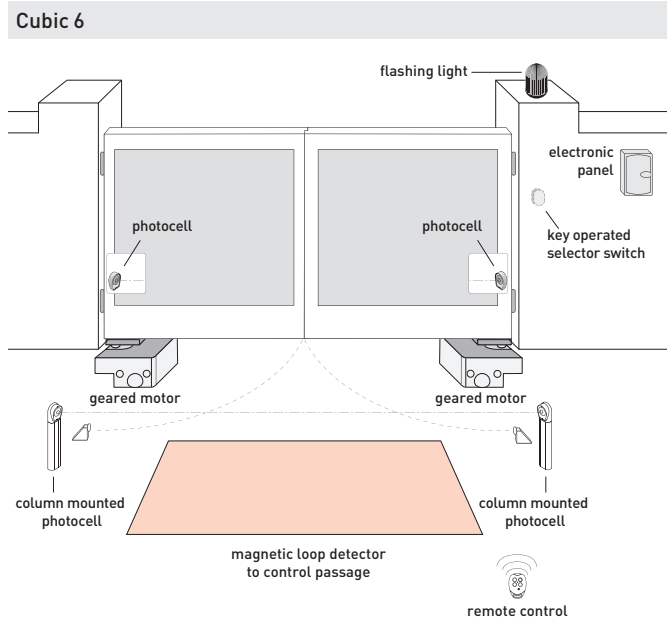
### Technical specifications

| Description                       | Facil 3H   | Facil 3EH  | Arc BH   | Arc 1BH  |
|-----------------------------------|--|--|--|--|
| Electromechanical actuator        | irreversible for up to 2.3 m wide wing               | irreversible for up to 2.3 m wide wing               | irreversible for up to 2.5 m wide wing               | irreversible for up to 5 m wide wing                 |
| Stroke control                    | rotary limit switch (optional)                       | rotary limit switch (optional)                       | rotary limit switch (optional)                       | rotary limit switch (optional)                       |
| Maximum capacity                  | 200 kg x 2.3 m<br>300 kg x 1 m                       | 200 kg x 2.3 m<br>300 kg x 1 m                       | 200 kg x 2 m<br>150 kg x 2.5 m                       | 500 kg x 3 m<br>250 kg x 5 m                         |
| Duty class                        | 3 - heavy duty                                       | 3 - heavy duty                                       | 4 - heavy duty                                       | 4 - heavy duty                                       |
| Intermittent operation            | S2 = 30 min<br>S3 = 50%                              | S2 = 30 min<br>S3 = 50%                              | S2 = 30 min<br>S3 = 50%                              | S2 = 30 min<br>S3 = 50%                              |
| Power supply                      | 24 V DC  | 24 V DC  | 24 V DC  | 24 V DC  |
| Power input                       | 6 A  | 6 A  | 3 A  | 12 A   |
| Torque                            | 200 Nm   | 200 Nm   | 150 Nm   | 300 Nm   |
| Opening time                      | 12÷32 s/90°  | 12÷32 s/90°  | 15÷18 s/90°  | 15÷30 s/90°  |
| Actuator maximum opening          | 110°   | 110°   | 130°   | 130°   |
| Release system for manual opening | key operated   | key operated   | key operated   | key operated   |
| Operating temperature             | -20°C / +55°C<br>[-35°C / +55°C<br>with NIO enabled] | -20°C / +55°C<br>[-35°C / +55°C<br>with NIO enabled] | -20°C / +55°C<br>[-35°C / +55°C<br>with NIO enabled] | -20°C / +55°C<br>[-35°C / +55°C<br>with NIO enabled] |
| Protection rating                 | IP 54  | IP 54  | IP 54  | IP 54  |
| Product dimensions (mm)           | 188x285x332  | 188x285x332  | 374x130x150  | 374x130x150  |
| Control panel                     | E2HFC (with FACIL3EH)<br>VIVA H                      | E2HFC<br>(built-in)                                  | E2HAR<br>VIVA H                                      | VIVA H   |

# Ditec Cubic 6

## Example installation and technical specifications

### Example installation




### Technical specifications

| Description                       | Cubic 6  | Cubic 6H   | Cubic 6HV  |
|-----------------------------------|--|--|--|
| Electromechanical actuator        | irreversible for up to 3.5 m wide wing               | irreversible for up to 3.5 m wide wing               | irreversible for up to 1.5 m wide wing               |
| Stroke control                    | magnetic limit switch (optional)                     | magnetic limit switch (optional)                     | magnetic limit switch (optional)                     |
| Maximum capacity                  | 600 kg x 2 m<br>250 kg x 3.5 m                       | 600 kg x 2 m<br>250 kg x 3.5 m                       | 200 kg x 1.5 m                                       |
| Duty class                        | 3 - medium duty                                      | 4 - heavy duty                                       | 4 - heavy duty                                       |
| Intermittent operation            | S2 = 15 min<br>S3 = 25%                              | S2 = 30 min<br>S3 = 50%                              | S2 = 30 min<br>S3 = 50%                              |
| Power supply                      | 230 V AC / 50 Hz                                     | 24 V DC  | 24 V DC  |
| Power input                       | 1.5 A  | 12 A   | 12 A   |
| Torque                            | 340 Nm   | 340 Nm   | 220 Nm   |
| Opening time                      | 18 s/90°   | 12÷25 s/90°  | 6÷13 s/90°   |
| Actuator maximum opening          | 110° or 180°   | 110° or 180°   | 110° or 180°   |
| Release system for manual opening | key operated   | key operated   | key operated   |
| Operating temperature             | -20°C / +55°C<br>[-35°C / +55°C<br>with NIO enabled] | -20°C / +55°C<br>[-35°C / +55°C<br>with NIO enabled] | -20°C / +55°C<br>[-35°C / +55°C<br>with NIO enabled] |
| Protection rating                 | IP 67  | IP 67  | IP 67  |
| Control panel                     | E2<br>LOGICM   | VIVA H   | VIVA H   |



## System functions

|  | Obbi 3BH   | Luxo 3BH - 4BH   | Luxo 3B - 5B<br>Cubic 6                                 | Luxo 3B - 5B<br>Cubic 6                              | Obbi 3BH<br>Luxo 3BH - 4BH<br>Luxo 5BH - 5VBH<br>Facil 3H<br>Arc BH - 1BH<br>Cubic 6H - 6HV | Facil 3H - 3EH<br>Arc BH                                     |
|--|--|--|---|--|---|--|
| <b>Description</b>   | E2HOB  | E2HLX  | E2  | LOGIC M  | VIVA H  | E2HFC - E2HAR  |
| <b>Control panel</b>   | for 1 or 2 motors<br>24 V DC<br>with built-in<br>radio | for 1 or 2 motors<br>24 V DC<br>with built-in<br>radio | for 1 or 2 motors<br>230 V AC<br>with built-in<br>radio | for 1 or 2<br>230 V AC motors                        | for 1 or 2<br>24 V DC motors  | for 1 or 2 motors<br>24 V DC<br>with built-in<br>radio       |
| <b>Mains power supply</b>  | 230 V AC / 50/60 Hz                                    | 230 V AC / 50/60 Hz                                    | 230 V AC / 50 Hz  | 230 V AC / 50 Hz                                     | 230 V AC / 50/60 Hz   | 230 V AC / 50/60 Hz  |
| <b>Batteries</b>   | ■<br>(optional)  | ■<br>(optional)  |   |  | ■<br>(optional)   | ■<br>(optional)  |
|  <b>Energy saving</b> | reduced<br>consumption<br>when in use                  | reduced<br>consumption<br>when in use                  | reduced<br>consumption<br>when in stand-by              |  | reduced<br>consumption<br>when in use   | reduced<br>consumption<br>when in use                        |
| <b>Number of motors</b>  | 1 or 2   | 1 or 2   | 1 or 2  | 1 or 2   | 1 or 2  | 1 or 2   |
| <b>Motor power supply</b>  | 24 V DC / 2 x 4.5 A                                    | 24 V DC / 2 x 4.5 A                                    | 230 V AC / 1 x 5 A<br>230 V AC / 2 x 2.5 A              | 230 V AC / 1 x 5 A<br>230 V AC / 2 x 2.5 A           | 24 V DC / 2 x 12 A  | 24 V DC / 2 x 6 A<br>(Facil)<br>24 V DC / 2 x 4.5 A<br>(Arc) |
| <b>Accessories power supply</b>  | 24 V DC / 0.5 A  | 24 V DC / 0.5 A  | 24 V DC / 0.5 A   | 24 V DC / 0.5 A                                      | 24 V DC / 0.5 A   | 24 V DC / 0.5 A  |
| <b>Electro-mechanical lock</b>   | 24 V DC / 1.2 A  | 24 V DC / 1.2 A  | 12 V DC / 15 W  | 24 V DC / 1.2 A                                      | 24 V DC / 1.2 A   | 24 V DC / 1.2 A  |
| <b>Flashing light</b>  | 24 V   | 24 V   | 230 V   | 230 V and 24 V                                       | 24 V  | 24 V   |
| <b>Gate open warning light</b>   | analogue   | analogue   | from limit switch<br>and analogue                       | from limit switch<br>and analogue                    | analogue  | analogue   |
| <b>Courtesy light</b>  |  |  | ■<br>(1 motor only)                                     | ■<br>(1 motor only)                                  | 24 V  | 24 V   |
| <b>Limit switch provision</b>  |  | ■  | ■   | ■  | ■   | ■  |
| <b>Encoder<br/>(to control speed and<br/>deceleration)</b>   | virtual encoder  | virtual encoder  |   |  | virtual encoder   | virtual encoder  |
| <b>Force setting</b>   | display  | display  | electronic  | transformer  | automatic   | display  |
| <b>ODS - Obstruction<br/>Detection System</b>  | ■  | ■  | ■   | ■  | ■   | ■  |
| <b>Speed setting</b>   | display  | display  |   |  | ■   | display  |
| <b>Braking/slowing down</b>  | display  | display  |   |  | ■   | display  |
| <b>Time setting</b>  | display  | display  | ■   | ■  | ■   | display  |
| <b>Open control</b>  | ■  | ■  | ■<br>(with dip-switch)                                  | ■  | ■   | ■  |
| <b>Partial opening control</b>   | ■  | ■  | ■<br>(with radio only)                                  | ■  | ■   | ■  |
| <b>Close control</b>   | ■  | ■  | ■   | ■  | ■   | ■  |
| <b>Temporised automatic<br/>closing</b>  | ■  | ■  | ■   | ■  | ■   | ■  |
| <b>Inching control</b>   | ■  | ■  | ■   | ■  | ■   | ■  |
| <b>Hold-to-run control</b>   | ■  | ■  | ■   | ■  | ■   | ■  |
| <b>Emergency stop</b>  | ■  | ■  | ■   | ■  | ■   | ■  |
| <b>Emergency reverse</b>   | ■  | ■  | ■   | ■  | ■   | ■  |
| <b>Safety Test</b>   | ■  | ■  |   | ■  |   | ■  |
| <b>NIO - Antifreeze System</b>   | ■  | ■  |   | ■  | ■   | ■  |
| <b>Soft start</b>  | ■  | ■  |   |  | ■   | ■  |
| <b>Operating temperature</b>   | -20°C / +55°C<br>[-35°C / +55°C<br>with NIO enabled]   | -20°C / +55°C<br>[-35°C / +55°C<br>with NIO enabled]   | -20°C / +55°C   | -20°C / +55°C<br>[-35°C / +55°C<br>with NIO enabled] | -20°C / +55°C<br>[-35°C / +55°C<br>with NIO enabled]  | -20°C / +55°C<br>[-35°C / +55°C<br>with NIO enabled]         |
| <b>Protection rating</b>   | IP 55  | IP 55  | IP 55   | IP 55  | IP 55   |  |
| <b>Product dimensions<br/>(mm)</b>   | 187x261x105  | 187x261x105  | 187x261x105   | 187x261x105  | 238x357x120   |  |

# SAF REL



Smartly designed,  
yet practical and safe,  
to ensure a long life

# E A N D I A B L E

**Soft edges, rounded corners, high performance and suitability for any type of installation environment**

Ditec Qik is the ideal solution for a totally safe access control of medium to high transit environments such as hotels, banks, shopping malls, as well as blocks of flats, companies and camp sites, which always require access control of car parking areas, to ensure their use to authorised people only.

The Ditec Qik barriers are available in grey or in stainless steel, the ideal solution for harsher environments such as areas near the sea.







# Truly innovative shapes and uncompromising safety



**01** Two different types of cabinet to cater to various needs: one, slim-line and stylish for entrances of up to 5.8 metres, and one larger size for entrances of up to 7.6 metres, meeting the requirement for greater sturdiness and conveying stronger-impact aesthetics. The electronic panel is positioned on the top part of the barrier at a height that permits easier access to components and therefore allows conveniently carrying out setting and maintenance jobs.

The top structure has a provision for an aerial to be installed to avoid any vandal attacks.

The pickled, metallic colour painted sheet metal does not degrade with time, despite adverse weather conditions, and gives Ditec Qik a clean look.

**02** The key operated lever release system can be promptly accessed from the inspection side; fitted with a cover plate, the system can safely handle all emergencies in case of power failure.

**03** The aluminium arm, round or elliptical, has been designed to avoid any shearing problems, thanks to a rubber guard located in the top and bottom section and to the rounded design of the rotation pin.

The round arm can be up to 7.6 metres long.

The elliptical shape ensures better wind resistance, thus avoiding any swinging in the 5.8 metre version.

The arm is fitted with a rubber end plug and a provision for accessories (pivot pins, red reflective strips, fixed and moving mountings, vandal proof electrically operated lock, skirting and battery kit).

**04** To ensure more visibility in the more demanding applications, the direct current version is fitted with an arm lighting kit: the LED goes off when the arm is up; it flashes when the arm is moving and is continuously lit when the arm is down, in order to enhance its outline.

**05** The balancing system uses a single compression spring. Five (differently coloured) springs are available. These springs, when correctly positioned and adjusted, allow the arm to be correctly balanced according to its dimension.

The system can be installed either on the right or on the left hand side by simply changing its position.

Two limit switches fitted to the alternating current version and one encoder to the direct current version allow further adjustments to the arm to be made in order to satisfy all possible requirements. Ditec Qik is also fitted with two adjustable mechanical stops.

# Distinctive features and main functions

- CE marking
- Direct current motor with high performance in terms of speed and number of operations; alternating current motor suitable for all applications requiring lower performance and shorter life
- Gear motor mounted at right angle with the barrier exit in order to avoid the use of a lever system and to leave more space available for the control unit
- Simple to install, the system ensures a very easy access to the control unit
- The 24 V DC version with encoder and limit switch allows slowdowns and speed control. Possibility of using batteries and operating intermittency
- In the Ditec Qik 80, the MD2 display module can be used for the diagnostics and enhanced control of panel adjustments, updatable by means of DMCS software.

## Clean look and attention to details for heavy duty applications

All rivets are made of stainless steel and have no welding to ensure long life and maintain their features unaltered. The monobloc aluminium die-cast reduction unit ensures easy installation, longer life and easy cleaning.

## Tested to over a million operating cycles

The low stress reduction unit ensures a very high number of operations. The test carried out on the unit has achieved with ease a staggeringly high number of operations, over 1,500,000.

## Access system built with safety in mind

The Ditec Qik barriers, when matched to the LAN control systems, solve all access problems and are very easy to use. To allow employees and key customers to operate the barrier, a wide range of solutions are available: a remote control, a traditional key or keypad operated selector switch, a "LAN transponder" system or a "coin" system, which allows the barrier to be operated only once. This is a great solution for hotels, sport centres, shops and restaurants, visited by users who need temporary, quick and simple access.

Furthermore, the "magnetic loop" system is inherently very practical and simple to use.

The detector, when installed on the pavement, allows the exit barrier to be automatically operated when a vehicle goes over it, thus ensuring a regular flow of vehicles and avoiding unwelcome queues.

## Specific accessories

- Provision for photocell installation on fixed mounting
- Red reflective strips
- Fixed mounting
- Moving mounting
- Vandal proof electrically operated lock
- Aluminium skirting
- Arm pivot pin kit at 90°
- Batteries / Light kit
- Display module for diagnostics and enhanced control

## Technical specifications

| Description                       | Qik 4E  | Qik 7EH  | Qik 80EH   |
|-----------------------------------|---|--|--|
| Barriers                          | up to 3.5 m long                                  | up to 5.8 m long   | up to 7.6 m long   |
| Travel control system             | lever-type limit switch                           | encoder  | encoder + limit switch   |
| Arm length up to                  | 3.7 m   | 6 m  | 7.95 m   |
| Arm                               | elliptic  | elliptic   | round  |
| Duty class                        | 4 - heavy   | 5 - very heavy   | 4 - heavy  |
| Intermittent operation            | S2 = 15 min<br>S3 = 30%                           | S2 = 60 min<br>S3 = 60%  | S2 = 50 min<br>S3 = 50%  |
| Power supply                      | 230 V~ / 50 Hz                                    | 230 V~ / 50/60 Hz  | 230 V~ / 50/60 Hz  |
| Input                             | 1.2 A   | 1 A  | 1.2 A  |
| Torque                            | 90 Nm   | 70 Nm  | 200 Nm   |
| Opening time                      | 4 s/90°   | 2÷6 s/90°  | 6÷12 s/90°   |
| Closing time                      | 4 s/90°   | 2÷6 s/90°  | 6÷12 s/90°   |
| Release system for manual opening | Key-operated                                      | Key-operated   | Key-operated   |
| Operating temperature             | -20°C / +55°C<br>[-35°C / +55°C with NIO enabled] | -20°C / +55°C<br>[-35°C / +55°C with NIO enabled,<br>-10°C / +50°C with battery] | -20°C / +55°C<br>[-35°C / +55°C with NIO enabled,<br>-10°C / +50°C with battery] |
| Protection rating                 | IP 24D  | IP 24D   | IP 24D   |
| Product dimensions (mm)           | 300x320x1050                                      | 300x320x1050   | 405x525x1180   |
| Control panel                     | E1A (built-in)                                    | EL31R (built-in)   | EL34 (built-in)  |

## Main system functions

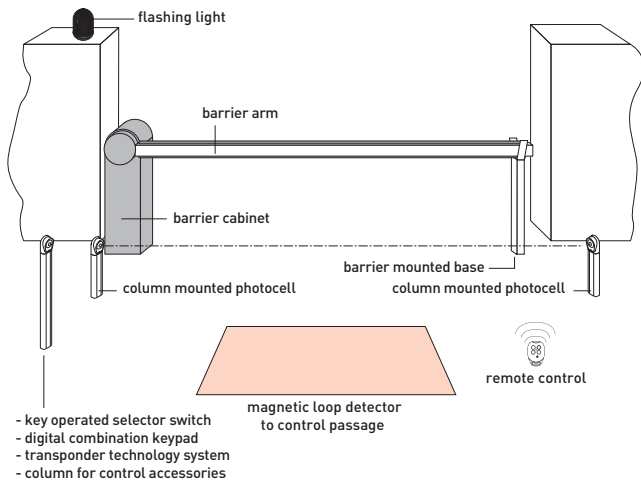
|   | Qik 4E  | Qik 7EH  | Qik 80EH   |
|---|---|--|--|
| Description   | E1A   | EL31R  | EL34   |
| Control panel   | for 1<br>230 V~<br>motor<br>with built-in radio | for 1<br>24 V=<br>motor<br>with built-in radio | for 1<br>24 V=<br>motor<br>with built-in radio decoder |
| Mains power supply  | 230 V~ / 50 Hz                                  | 230 V~ / 50/60 Hz                              | 230 V~ / 50/60 Hz                                      |
| Batteries   |   | ■<br>(optional)                                | ■<br>(optional)  |
| Energy saving  |   | reduced consumption<br>when in use             | reduced consumption<br>when in use                     |
| Number of motors  | 1   | 1  | 1  |
| Motor power supply  | 230 V~ / 5 A                                    | 24 V= / 7 A                                    | 24 V= / 16 A   |
| Accessories power supply  | 24 V= / 0.5 A                                   | 24 V= / 0.3 A                                  | 24 V= / 0.5 A  |
| Electrically operated lock  |   | 24 V= / 0.1 A                                  | 24 V= / 1 A  |
| Flashing light  | 230 V   | 24 V   | 24 V   |
| Automation open warning light   | from limit switch                               | analogue                                       | analogue   |
| Courtesy light  | ■   | ■  | ■  |
| Limit switch provision  | ■   | ■  | ■  |
| Encoder<br>to control speed and deceleration  |   | ■  | ■  |
| Force setting   | transformer                                     | automatic                                      | automatic  |
| ODS - Obstruction detection system  | ■   | ■  | ■  |
| Speed adjustment  |   | ■  | ■  |
| Braking / Slowdown control  |   | ■  | ■  |
| Operation time adjustment   | ■   |  |  |
| Open control  | ■<br>(with dip-switch)                          | ■<br>(with dip-switch)                         | ■  |
| Partly open control   | ■<br>(with radio only)                          |  |  |
| Close control   | ■   | ■  | ■  |
| Automatic timed close control   | ■   | ■  | ■  |
| Inching control   | ■   | ■  | ■<br>(with dip-switch)                                 |
| Hold-to-run control   | ■   | ■  | ■  |
| Stop safety device  | ■   | ■  | ■  |
| Reverse operation safety device   | ■   | ■  | ■  |
| Safety Test Facility  | ■   | ■  |  |
| Soft Start  |   | ■  |  |
| NIO - Antifreeze system   | ■   | ■  | ■  |
| Instant closure after transit   | ■   | ■  | ■  |
| Protection rating   | IP 55   | IP 55  | IP 55  |



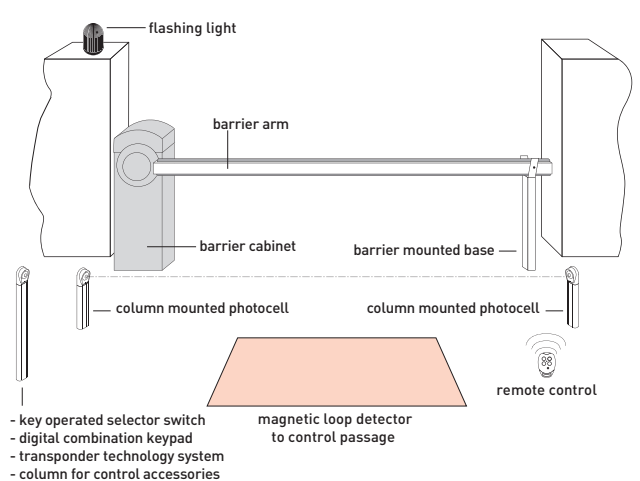
# Example installations and overall dimensions

## Example installations

Qik 4E - Qik 7EH

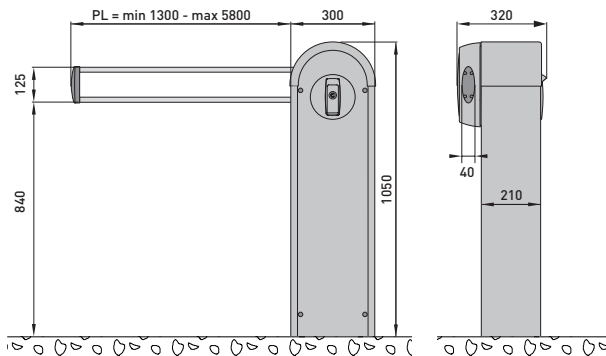


Qik 80EH

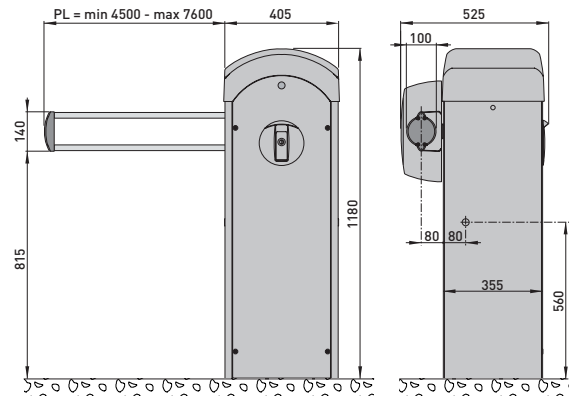


## Overall dimensions

Qik 4E - Qik 7EH



Qik 80EH



# The accessories that make all the difference

The wide range of Ditec accessories allows the access systems to be used with various control and monitoring options

Available for all offered automation solutions



## **Gol 4 Remote controls**

Simply press a button on the remote control and the Ditec drive system springs into action. Thanks to this accessory, foul weather will never be a problem again.



## **Caddies for Gol 4 remote controls**

These can be positioned on any surface or on your car sun visor so you'll always have your remote control within easy reach.



## **Gol 4M keyboard transmitter**

Four channel coded control. Allows electrically operated entrances to be opened with radio signals by entering a code.



## **Xel 2 and Lab 3 IR photocells**

For a maximum level of safety in automation. Can be wall or vertical mounted. Modulated infrared beam.



## **Xel 5 key operated selector switch**

Fitted with a tamper proof device. Can be wall or column mounted.



## **Lan 4 Digital keypad systems**

With digital, anti-vandalism combination and secret code up to 8 digits.



# Control and security are in your hands

## Lamp

24 V and 230 V flashing light with flashing operation controlled from the control panel.



Available for all offered automation solutions\*

## Lan 7 control device with proximity control

Wireless identification system, featuring TRANSPONDER technology.



## Sof safety edges

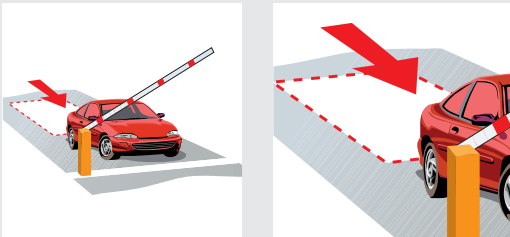
These are fitted to all entrance control systems to ensure maximum safety during opening and closing operations.



\*Not available for Ditec Qik

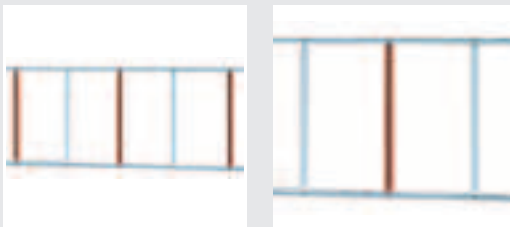
## Magnetic loop detector

Starts the barrier automatic opening operation when a car goes over the sensor fitted to the pavement and it detects the car going past it and stops the bar from closing until the car has gone through.



## Aluminium skirting

L = 2 m, painted red/white.



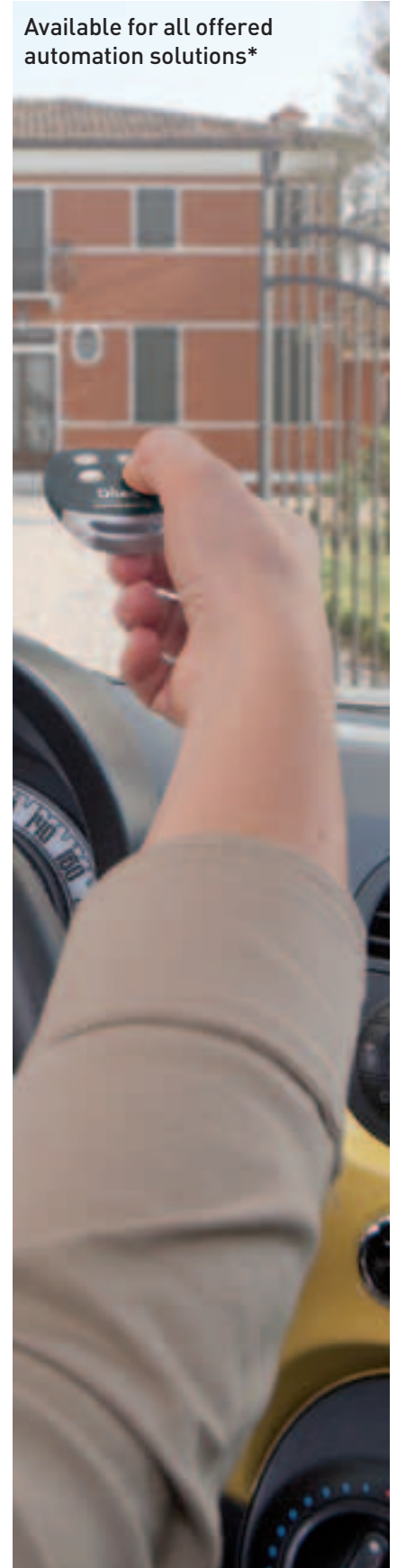
\*Available for Ditec Qik only

## Fixed and moving mounting

Fixed mounting to be installed on the ground, moving mounting to attach to the arm.



\*Available for Ditec Qik only





When building the system, only use Ditec accessories and safety devices.  
Every Ditec automation features CE marking and is designed and built in compliance with the safety requirements of the Machinery Directive (2006/42/EC), of the Electromagnetic Compatibility Directive (2004/108/EC) and of the Low Voltage Directive (2006/95/EC) and of other Directives, laws, specific standards for special products and situations.  
The Company reserves the right to make changes which may improve the products.  
For this reason, the technical details given are not binding.  
Pictures were taken with the consent of those concerned or in public locations.  
Further information can be found in the Technical Manuals available at the website: [www.ditecentrematic.com](http://www.ditecentrematic.com)

**ENTRE//MATIC**



**Entrematic Italy S.p.A.**

Via Mons. Banfi, 3 • 21042 Caronno P.lla (VA) • Italy

Tel +39 02 963911 • Fax: +39 02 9650314

[ditec@entrematic.com](mailto:ditec@entrematic.com)

[www.ditecentrematic.com](http://www.ditecentrematic.com) • [www.entrematic.com](http://www.entrematic.com)

Cod. N201B - Rev. 2 - 02/2015  
Ditec automation for gates  
and automatic barriers  
gdp milano 140365

Ditec branches are in: France, Germany, Portugal, Spain, Sweden, Turkey, USA and Canada.  
For addresses and contacts visit our website [www.ditecentrematic.com](http://www.ditecentrematic.com)

